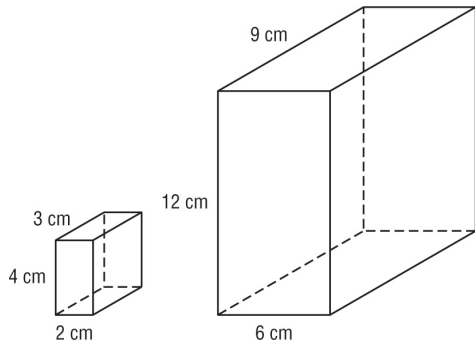


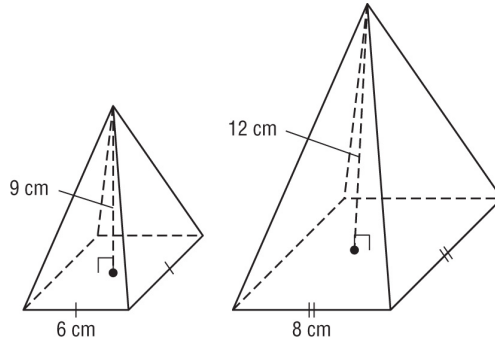
Assignment 12.8

Determine whether each pair of solids is *similar*, *congruent*, or *neither*. If the solids are similar, state the scale factor.

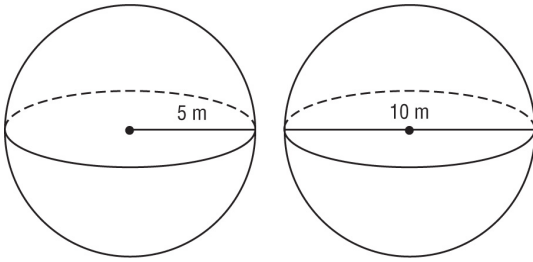
1.



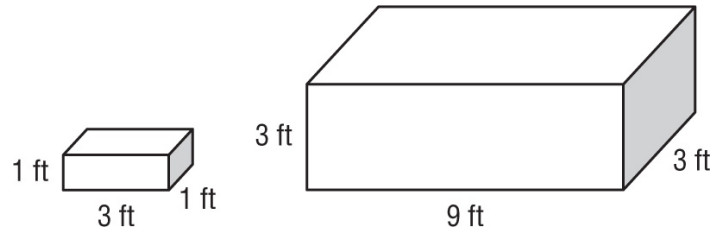
2.



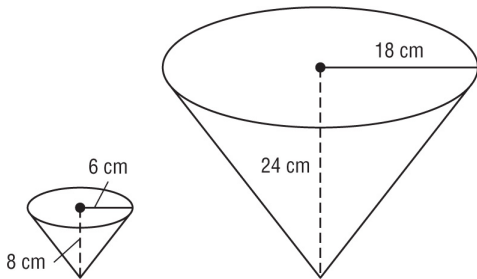
3.



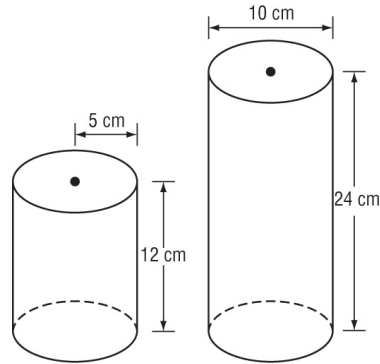
4.



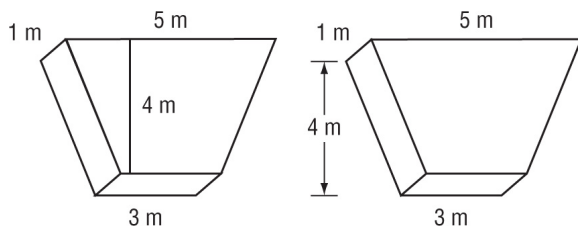
5.



6.



7.



8.

